

Kalmar Ottawa T2

4x2 Off Road

Standard Specifications



Wheelbase

Wheelbase
116"

Frame/Chassis

Frame/Chassis
14" x 4.25" x 3.5" Steel 50,000 PSI 3/8" Formed C-Channel
Modular Frame Design
Reinforced Removable Bumper with 55° Taper Curbside
50-Gallon Rectangular "Step-Tank" Mounted on Driver Side, 10" Deep Step
10-Gallon DEF Tank — Rubber Cover Over Cap on Fill Tube
Integral Front and Rear Tow Points

Engine

Engine
Cummins B6.7 Stage V (Tier 4 final) — 156 HP @ 2200 RPM, 550 lb/ft of Torque @ 1300 RPM
Fleetguard Air Filter
Air Restriction Indicator Mounted Under Hood

Transmission

Transmission
Allison 3000RDS (6 Speed) Automatic Transmission with Fuel Sense 2.0 MaxiMizer
Push-Button Shifter

Front Axle

Front Axle
Meritor FF-961 12,000 lb. Capacity
"S" Cam Type 16.5" x 5" Brakes

Rear Axle

Rear Axle
Meritor RS-24-160, 30,000 lb. Rated, 7.17:1 Ratio
"S" Cam Type 16.5" x 7" Brakes

Suspension

Suspension
Front — Parabolic 3-Leaf Spring, Lube Free, Shackle Free
Rear — None, Solid Mount

Slack Adjusters

Slack Adjusters
Automatic Front and Rear

Tires

Tires
11R22.5 Radial Highway Tread Tires

Steel Disc Wheels

Steel Disc Wheels
8.25" x 22.5" 10 Bolt 285mm (11.25") BC Hub Piloted

Batteries

Batteries
(2) 12 Volt Maintenance Free

Trailer Equipment

Trailer Equipment
(2) Color Coded, Coiled Air Lines with Glad Hand Receivers
7 Wire Female Receptacle at Rear of Cab

Cab

Cab
Steel and Composite Cab with Aluminum Sliding Rear Door
Certified Roll-Over Protection Structure (ROPS)
High Roof Cab
3-Point Cab Mounting with Air Suspension
Integral Heating/Ventilation System with (3) Vents for Driver; (4) Front and (2) Side Defrost Vents
High Air Flow Heater/Defroster with Molded Air Ducts
Laminated Solar Grey Window in Rear Door
Air Ride Seat with Isolator and 2-Point Retractable Seat Belt
Digitally Driven Instrument Cluster: Air Pressure, Fuel Level, Hour Meter, Odometer, Speedometer, DEF and Critical Situation Indicators
Mounting Plate and Power Connection Points for Yard Management System
Electric Pantograph Windshield Wipers
Suspended Brake and Throttle Pedals
Coat Hook Behind Driver Seat
Cup Holder
Cab Insulation for Thermal Protection and Noise Abatement
Cab Tilt: 40° with 90° Tilt Capability
West Coast 16" x 7" Mirrors
Cab Dome Lights



Kalmar Ottawa T2

4x2 Off Road

Fifth Wheel

Fifth Wheel

Holland FW35TT Fifth Wheel with 80,000 lb. Plate Rating

Hydraulic System

Hydraulic System

Upper and Lower Spherical Bearings

17" Lift

20 Gallon Tank with Sight Glass

10 GPM System

Wet Spline PTO

Constant Running PTO/Pump with Priority Steering Circuit

Pneumatic

Pneumatic

18.7 CFM Wabco Compressor with (2) Reservoir Tanks, Total Capacity 4614 cu. in.

Color-Coded Air Lines, Complies to TMC Recommended Practices

Split Air Brake System

Power Steering

Power Steering

Integral Gear Type with Mechanical Back-Up

Electric

Electric

12 Volt Electrical System – Negative Ground

Electric Cab Tilt System

130 Amp Alternator

Electric Back-Up Alarm

All Wires Color and Number Coded

All Connectors External to Cab are Sealed

Paint

Paint

Cab

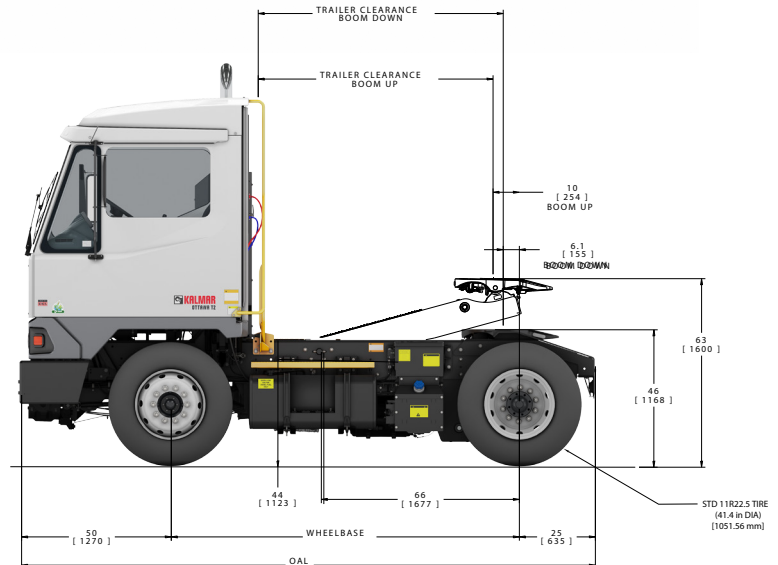
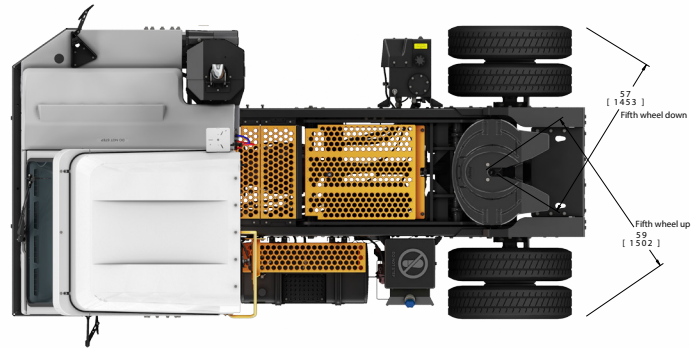
- Metal Structure/Components – Full Immersion, Multi-Stage, "E" Coat with White Powder Top Coat
- Composite Components – Color Impregnated

Chassis – Black Powder Coat

Wheels – White Powder Coat

Grab Handles, Steps and Platforms – Yellow Powder Coat

Rubberized Undercoating Under Cab



Maximum Road Speed: 25MPH
Approximate weight: 14,500 lbs.

