

Technical
information

Terminal Tractor

Kalmar 4x4 TR618i



Kalmar 4-Wheel Drive TR618i Terminal Tractor.

Standard specifications.

Engine

- Cummins B6.7 (Stage 5)
- Power: 225 HP @ 2200 rpm
- Torque: 874 lb/ft @ 1300 rpm
- Transmission: Dana RTe 14822 (8+8 gears), torque converter CFL331368

Engine Option

- Cummins QSB6.7 Stage 3A
- Power: 260 HP @ 2200 rpm
- Torque: 728 lb/ft @ 1500 rpm
- Transmission: Dana RTe 14822 (8+8 gears), torque converter CFL331368

Axles

- Front axle SISU SSDP planetary axle
- Rear axle SISU SRDP planetary axle
- Axle ratio 20.57:1 as standard
16.41:1 - optional

Tires

- 11.00R20 as standard

Chassis

- All-welded steel chassis
- High-resistance side bumpers for protection
- Standard color RAL 7021 (Kalmar black)

Cabin

- Certified Roll-Over Protection Structure (ROPS)
- Excellent visibility to all directions and superb comfort for the driver
- Tilttable 60 degrees
- Standard color RAL 3000 (Kalmar red)

Lift boom

- Lifting height is 39 in with two double-acting telescopic cylinders
- Lifting capacity on the fifth wheel is 70,500 lbs as standard
- The fifth wheel has $\pm 10^\circ$ lateral tilting
- Driver can control the tilting angle by hydraulic valve

Hydraulic system

- Variable displacement pump capacity 33 GMP, pressure 2900 PSI
- Hydrostatic steering with emergency function and two double-acting steering cylinders fitted on front axle

Pneumatic system

- Two-cylinder air compressor, 120 PSI working pressure

Electric system

- 24 V, negative ground, batteries 2 x 170Ah with main switch
- CAN-BUS (Controller Area Network) -interface

Turning radius

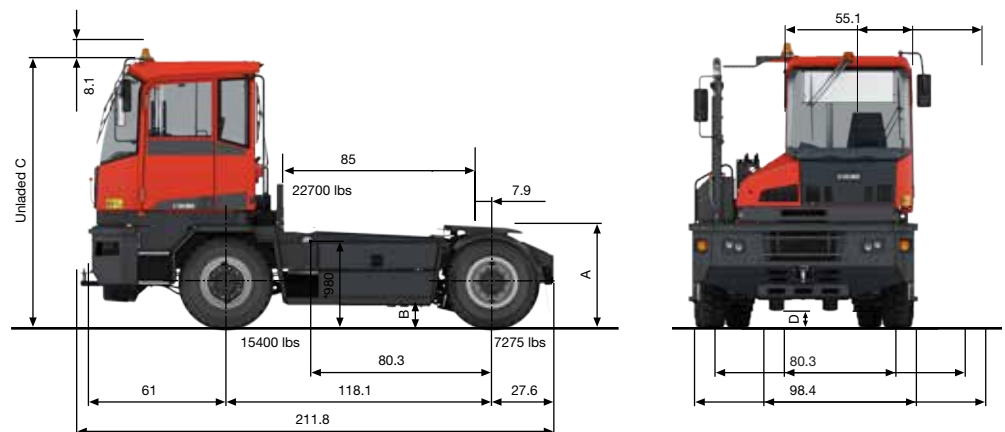
- Front fender, left: 21 ft
- Front fender, right: 21 ft

Weight

- Approx. weight*: 22,700 lbs
- Front axle*: 15,400 lbs
- Rear axle*: 7,275 lbs
- * Depending on specifications.

Optional equipment

- Wide selection of optional equipment available.



Kalmar USA

415 E Dundee St.
Ottawa, KS 66067

kalmarottawa.com

Published by Kalmar, part of Cargotec. Copyright Cargotec 2020. All rights reserved. No part of this publication may be copied or reproduced without permission of the copyright owner. The content of this document is provided "as is", without warranties of any kind with regards to its accuracy or reliability and excluding all implied warranties. We reserve the rights to make changes to any of the items described in this document without prior notice. The content of each service and availability of particular services may vary.

